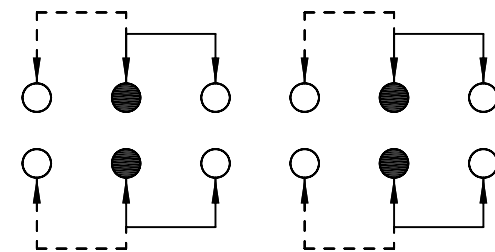
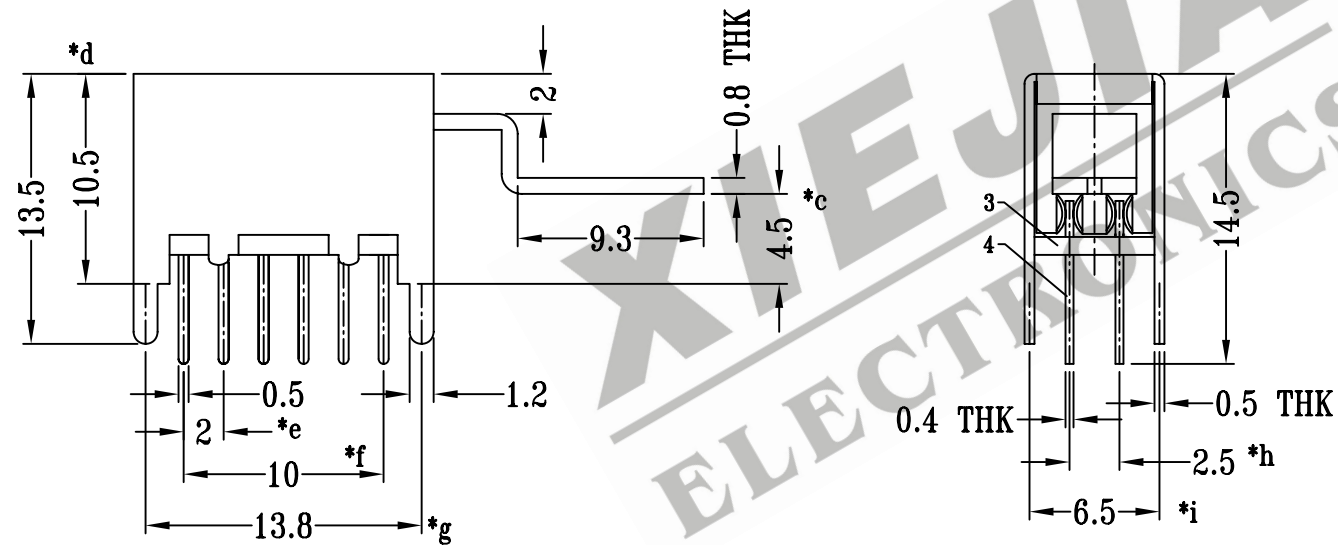
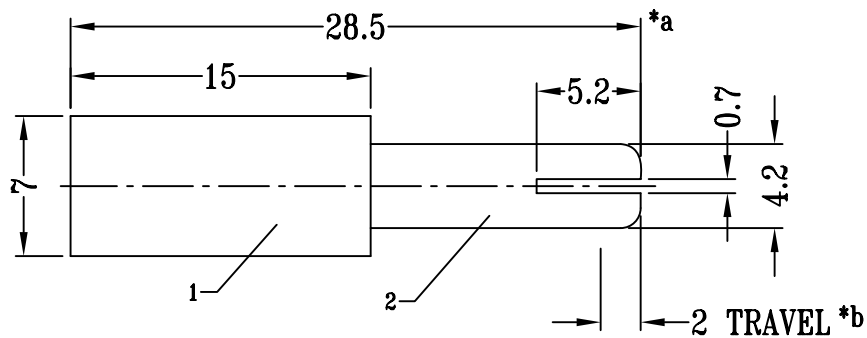
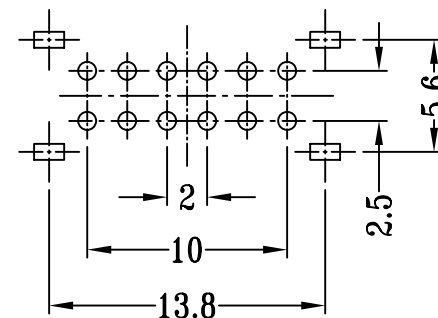


CAD FILE:



SCHEMATIC (NON-SHORTING)



P.C.B LAYOUT

注：“\*”表示关键尺寸（9个）

| NO. | PART NAME    | MATERIAL       | Q'TY | FINISHING                | TOLERANCE<br>UNLESS SPECIFIED         | SHENZHEN XIEJIA ELECTRONICS CO.,LTD. |                 |   |           |              |       |
|-----|--------------|----------------|------|--------------------------|---------------------------------------|--------------------------------------|-----------------|---|-----------|--------------|-------|
| 8   |              |                |      |                          |                                       | ISSUE                                |                 | DATE                                    |           | DESCRIPTIONS | APPD. |
| 7   | CONTACT CLIP | PBS            | 4    | Ag CLAD                  | WITHIN: 1.5±0.1mm<br>OVER : 1.5±0.2mm | UNIT : MM                            |                 | DRWG NO.: XJ-DR-PS42D25-00              |           |              |       |
| 6   | SPRING       | STEEL WIRE     | 1    | TEMPER                   |                                       | SCALE: 5:2                           |                 | DWN.                                    | ZHOUYU    | 2005-6-16    |       |
| 5   | SLIDER       | POM            | 4    | BLACK                    |                                       |                                      |                 | CHK'D                                   | FANGYING  | 2005-6-16    |       |
| 4   | TERMINAL     | BRASS STRIP    | 12   | Ag PLATED OVER Ni PLATED |                                       |                                      |                 | APPD.                                   | KANGXINAN | 2005-6-16    |       |
| 3   | BASE         | PHENOLIC RESIN | 1    | NATURAL                  |                                       |                                      |                 | ALL MATERIALS MUST BE COMPLIANT TO ROHS |           |              |       |
| 2   | KNOB         | STEEL STRIP    | 1    | Ni PLATED                |                                       |                                      |                 |   |           |              |       |
| 1   | FRAME        | STEEL STRIP    | 1    | Ni PLATED                |                                       |                                      |                 |   |           |              |       |
|     |              |                |      |                          | TITLE : PUSH SWITCH                   |                                      | MODEL: PS-42D25 |   |           |              |       |